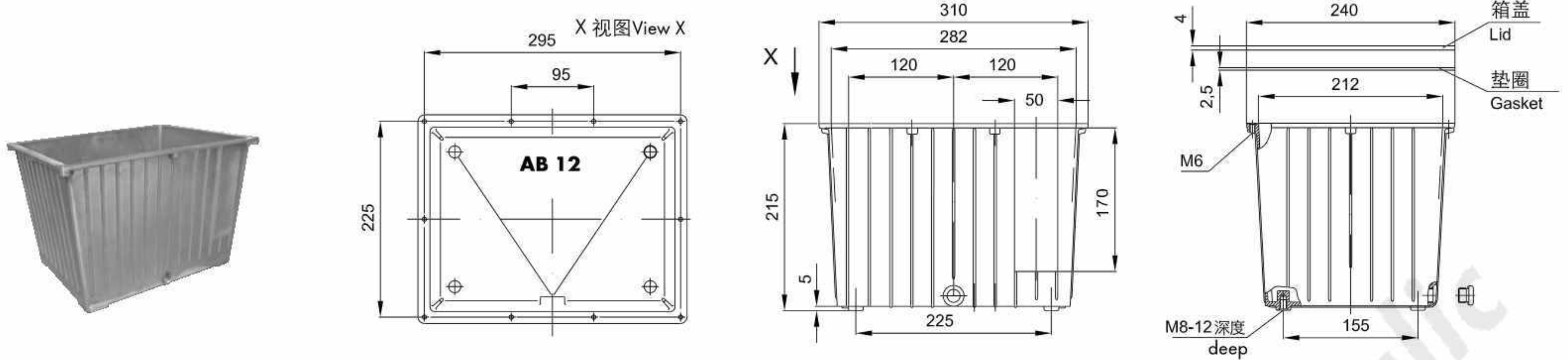


铝油箱 ALUMINIUM OIL TANKS

铝油箱 AB 12

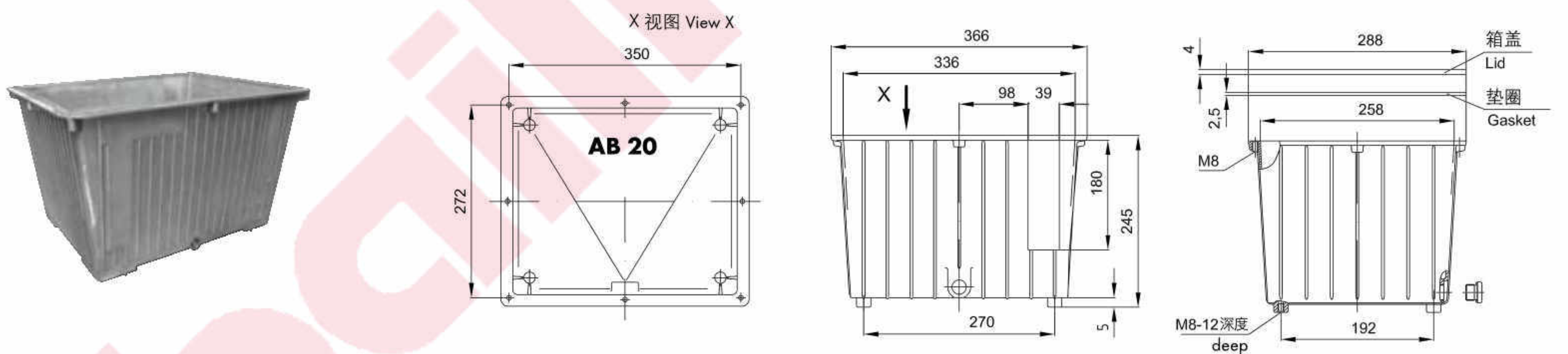
ALUMINIUM OIL TANKS AB 12



标准配件 Standard Accessories	说明	DESCRIPTION
AB 12	油箱 有效容积 11.5 L, 可叠起堆放	Tank Effective capacity approx. 11.5 L · stackable
AL 12	铝制油箱盖, 可加工好安装孔, 也可以不加工, 不上漆,	Aluminium lid machined for mounting on the tank, otherwise unmachined, unprimed or completely machined acc.
AS G 1/2"	放油塞	Drain plug

铝油箱 AB 20

ALUMINIUM OIL TANKS AB 20

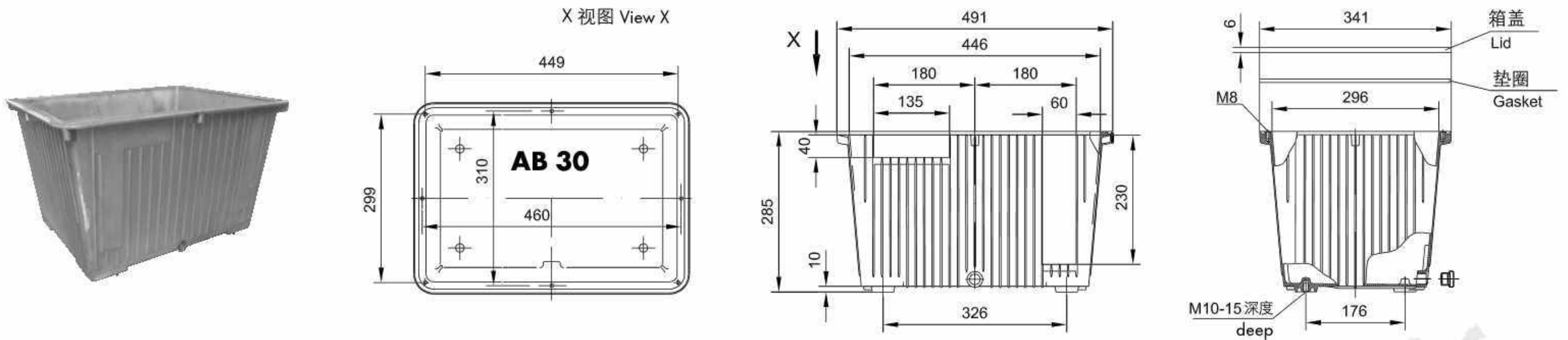


标准配件 Standard Accessories	说明	DESCRIPTION
AB 20	油箱 有效容积 17 L, 可叠起堆放	Tank Effective capacity approx. 17 L · stackable
AL 20	铝制油箱盖, 可加工好安装孔, 也可以不加工, 不上漆,	Aluminium lid machined for mounting on the tank, otherwise unmachined, unprimed or completely machined acc.
AS G 1/2"	放油塞	Drain plug

铝油箱 ALUMINIUM OIL TANKS

铝油箱AB 30

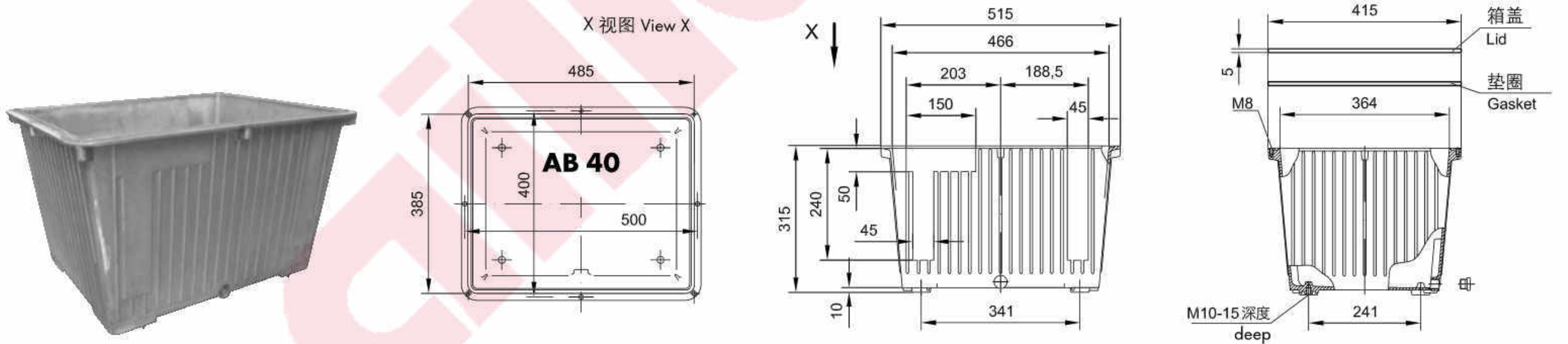
ALUMINIUM OIL TANKS AB 30



标准配件 Standard Accessories	说明	DESCRIPTION
AB 30	油箱 有效容积 25L, 可叠起堆放	Tank Effective capacity approx 25L. stackable
AL 30	铝制油箱盖, 可加工好安装孔, 也可以不加工, 不上漆,	Aluminium lid machined for mounting on the tank, otherwise unmachined, unprimed or completely machined acc.
AS G 1/2"	放油塞	Drain plug

铝油箱AB 40

ALUMINIUM OIL TANKS AB 40

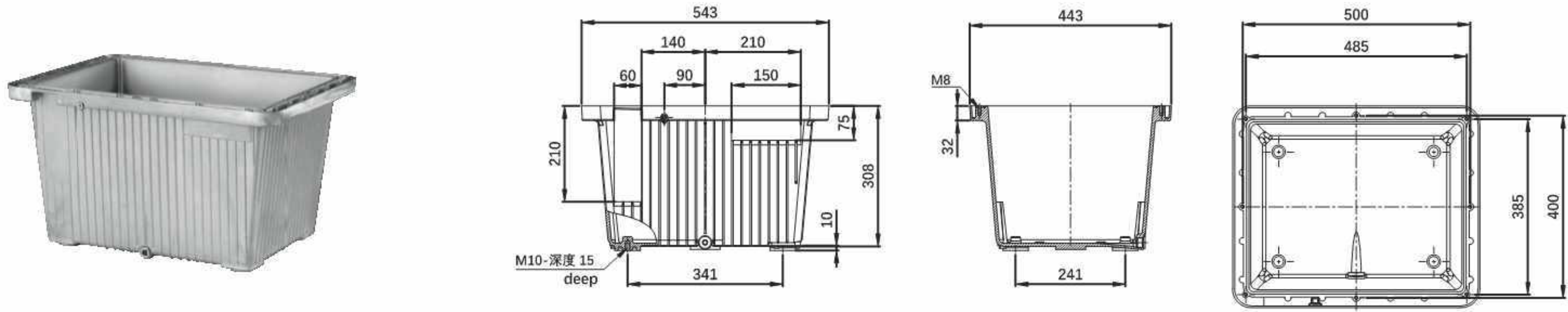


标准配件 Standard Accessories	说明	DESCRIPTION
AB 40	油箱 有效容积 40 L, 可叠起堆放	Tank Effective capacity approx. 40 L · stackable
AL 40	铝制油箱盖, 可加工好安装孔, 也可以不加工, 不上漆,	Aluminium lid machined for mounting on the tank, otherwise unmachined, unprimed or completely machined acc.
AS G 1/2"	放油塞	Drain plug

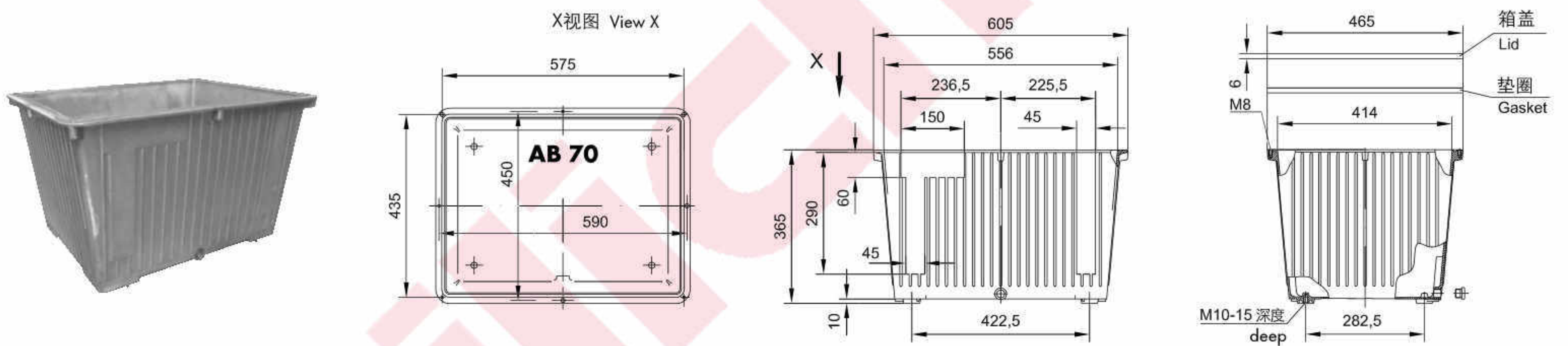
铝油箱 ALUMINIUM OIL TANKS

铝油箱 AB 44

ALUMINIUM OIL TANKS AB 44



标准配件 Standard Accessories	说明	DESCRIPTION
AB 44	油箱 有效容积 40 L, 可叠起堆放	Tank Effective capacity approx. 40 L · stackable
AL 44	铝制油箱盖, 可加工好安装孔, 也可以不加工, 不上漆,	Aluminium lid machined for mounting on the tank, otherwise unmachined, unprimed or completely machined acc.
AS G 1/2"	放油塞	Drain plug



标准配件 Standard Accessories	说明	DESCRIPTION
AB 70	油箱 有效容积 63 L, 可叠起堆放	Tank Effective capacity approx. 63 L · stackable
AL 70	铝制油箱盖, 可加工好安装孔, 也可以不加工, 不上漆,	Aluminium lid machined for mounting on the tank, otherwise unmachined, unprimed or completely machined acc.
AS G 1/2"	放油塞	Drain plug